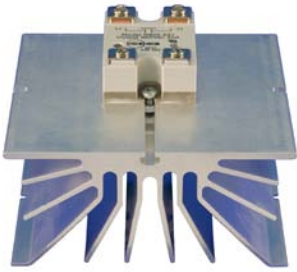


R810 Series Solid State Relays



The Viconics R810 series power switching modules are designed for cost effective, precise modulation of electric loads for most electric heating applications (Applicable on resistive loads only). The R810 series consists of SSR's (solid state relays), c/w factory assembled heatsink for surface or in-panel mounting.

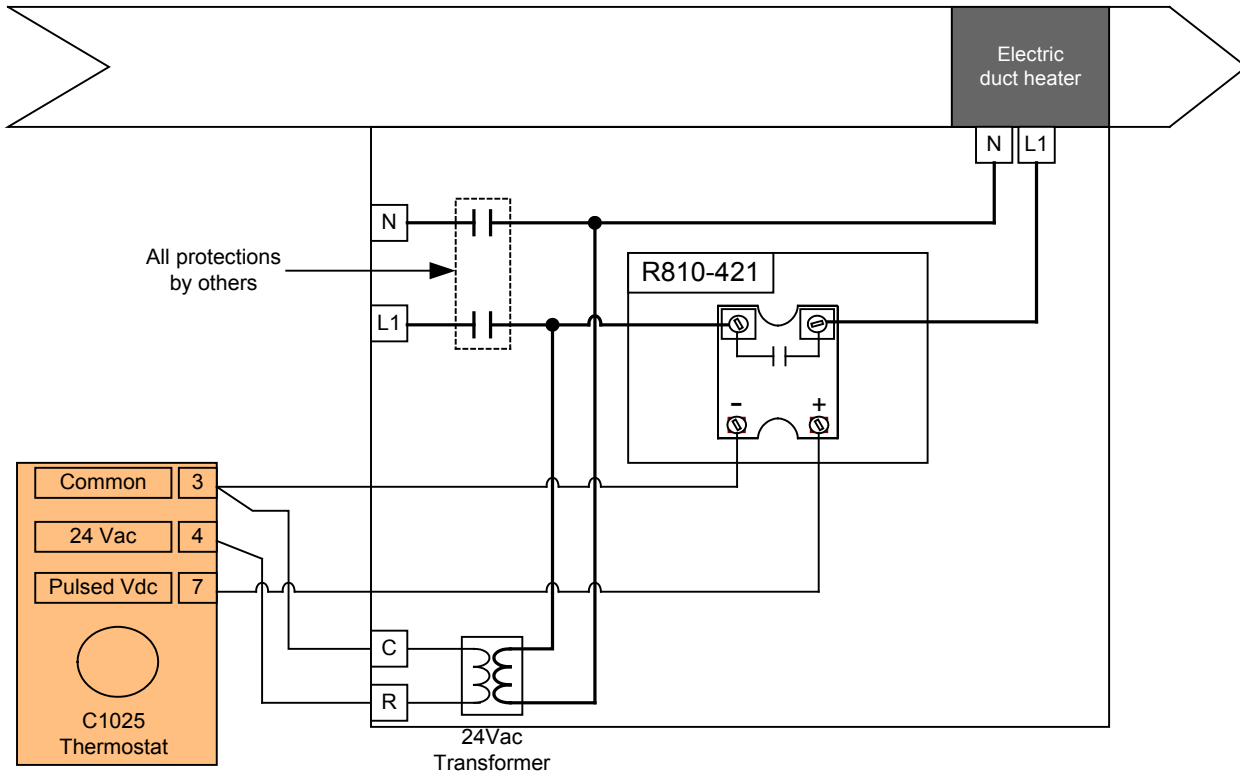
Available Models

Model	Maximum voltage (Up to)				Maximum amperage (Up to)				Phase	
	240 V	347 V	480 V	600 V	10 A	25 A	45 A	75 A	1 phase	3 phase
R810-211-REV2	•				•				•	
R810-213-REV2	•				•					•
R810-321-REV2		•				•			•	
R810-323-REV2		•				•				•
R810-341-REV2		•					•		•	
R810-343-REV2		•					•			•
R810-421-REV2			•			•			•	
R810-423-REV2			•			•				•
R810-441-REV2			•				•		•	
R810-443-REV2			•				•			•
R810-471-REV2			•					•	•	
R810-621-REV2				•		•			•	
R810-623-REV2				•		•				•
R810-641-REV2				•			•		•	
R810-643-REV2				•			•			•
R810-671-REV2				•				•	•	

Features

Features
Complete with factory installed heatsink
For surface or in-panel mounting
CSA approved for Canada and USA
UL recognized
Pulse status led for servicing & troubleshooting
Available with various open industry
2 year warranty

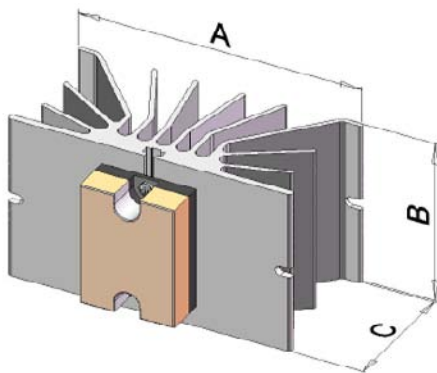
Electric Duct Heater With A C1025 Thermostat



Accessories

Model no.	Description
021-0247	Multi-signal input interface board. Converts input signal to pulsed output.
C24	AC/DC signal conversion module. Converts 24Vac signal to 5Vdc.
C25	Pulse repeater module.

Dimensions and Specifications



Operating Conditions: 0°C to 80°C (32°F to 176°F)
 0 % to 95 % R.H. non-condensing

Control Signal: 4-32 Vdc time proportioning signal into 2Kohms resistance
 With C24 module: 24 Vac -15%, +10% 50/60 Hz; 25 mA

Model	A	B	C
R810-211-REV2	5.25"	4.5"	2.0"
R810-213-REV2	5.25"	6.5"	2.0"
R810-321-REV2	5.25"	4.5"	2.0"
R810-323-REV2	5.25"	10.0"	2.0"
R810-341-REV2	5.25"	6.5"	2.0"
R810-343-REV2	5.25"	10.0"	2.0"
R810-421-REV2	5.25"	4.5"	2.0"
R810-423-REV2	5.25"	6.5"	2.0"
R810-441-REV2	5.25"	6.5"	2.0"
R810-443-REV2	5.25"	10.0"	2.0"
R810-471-REV2	5.25"	10.0"	2.0"
R810-621-REV2	5.25"	4.5"	2.0"
R810-623-REV2	5.25"	6.5"	2.0"
R810-641-REV2	5.25"	6.5"	2.0"
R810-643-REV2	5.25"	10.0"	2.0"
R810-671-REV2	5.25"	10.0"	2.0"